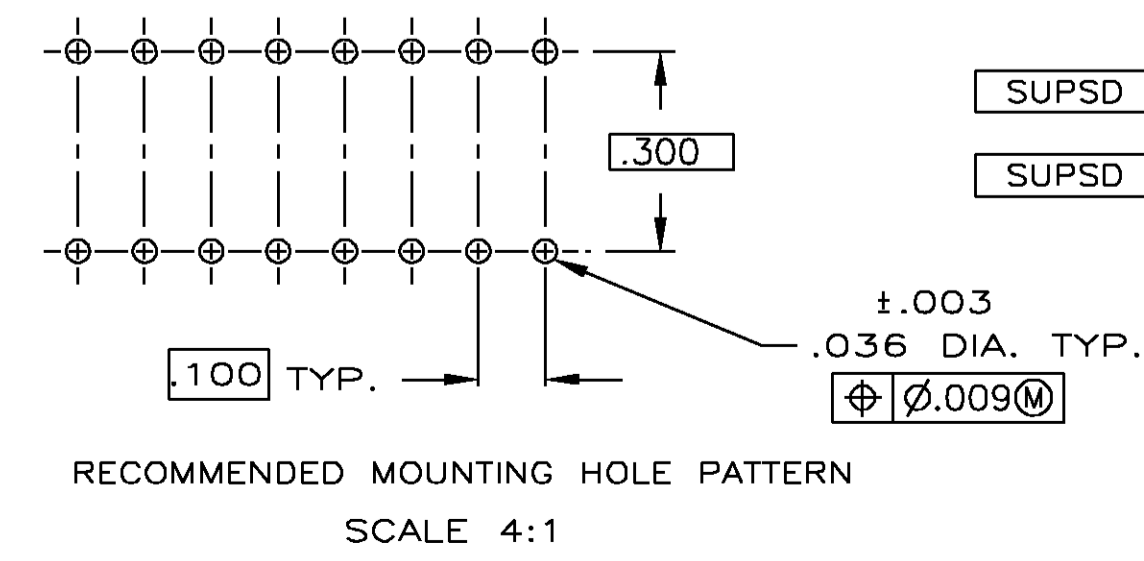
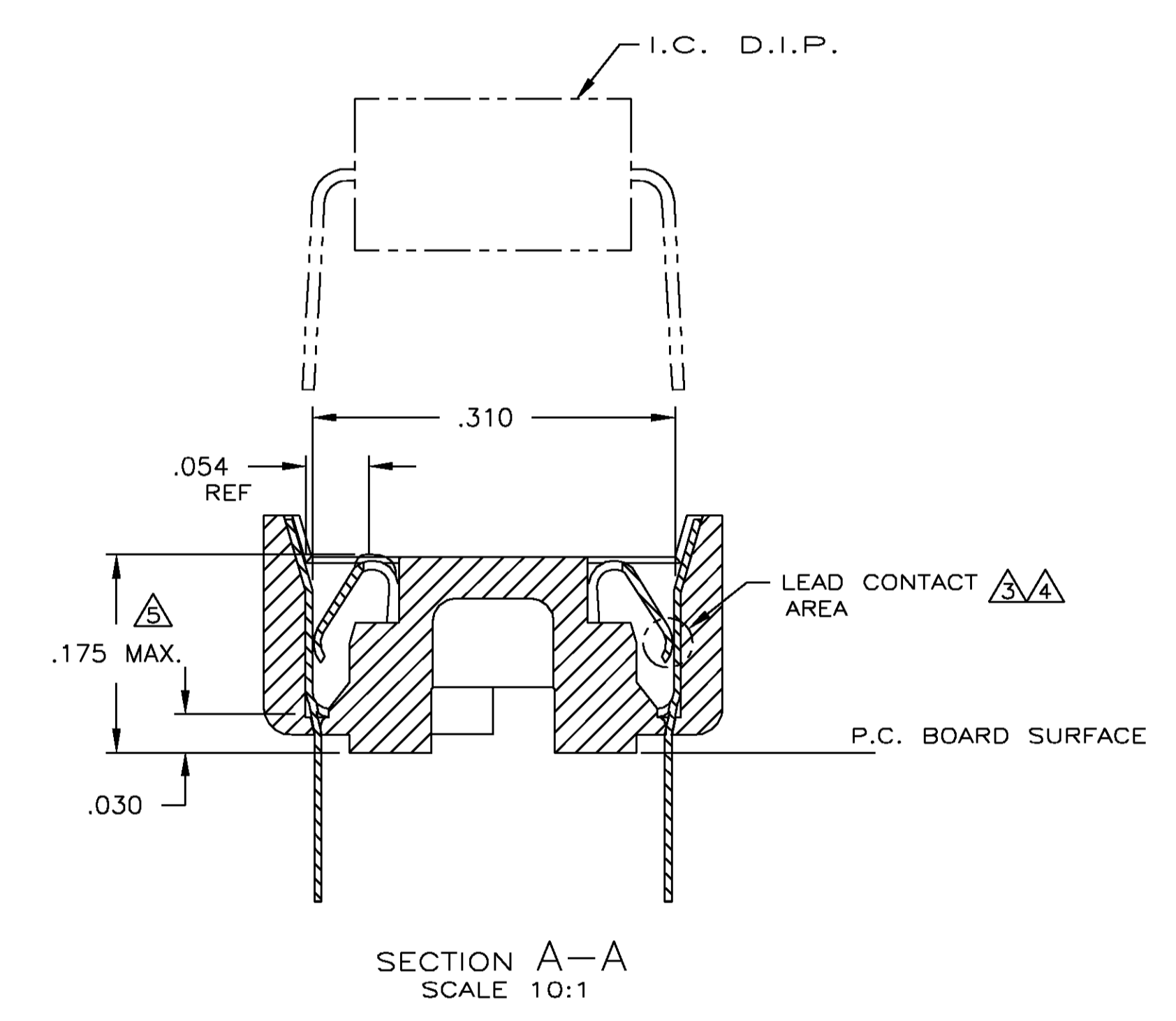
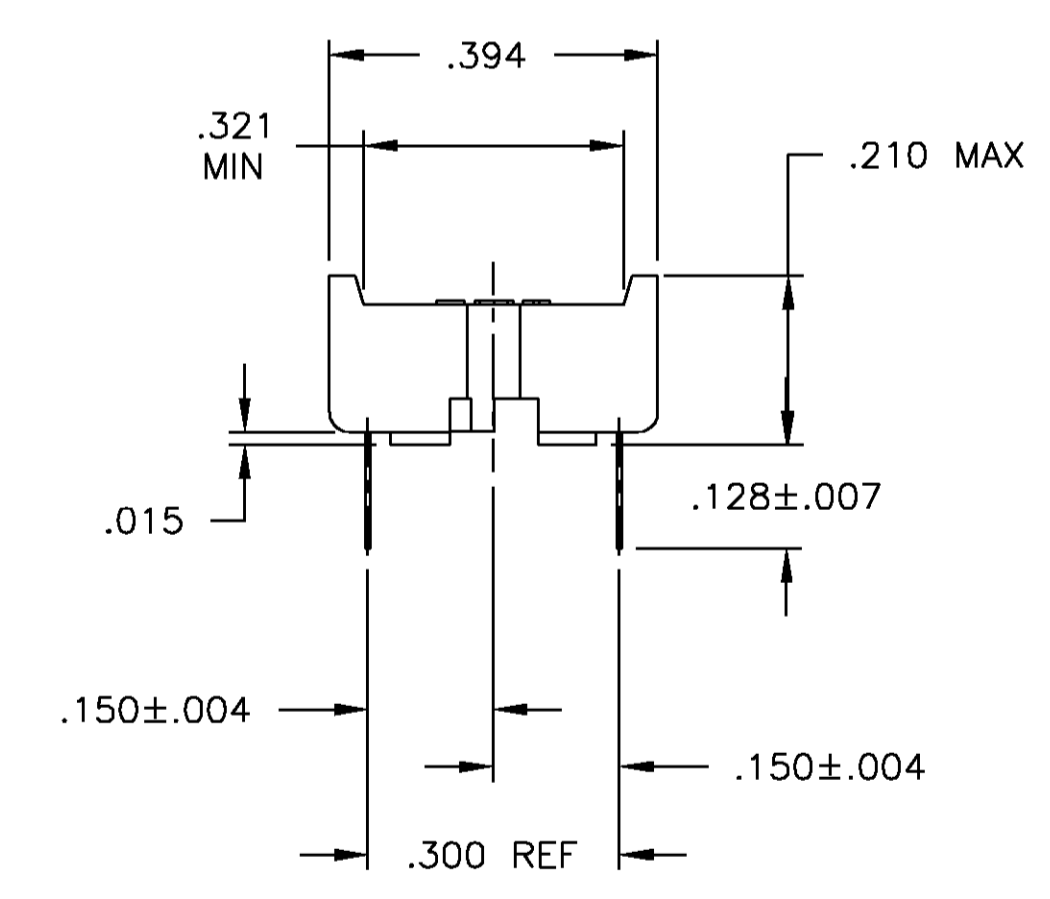
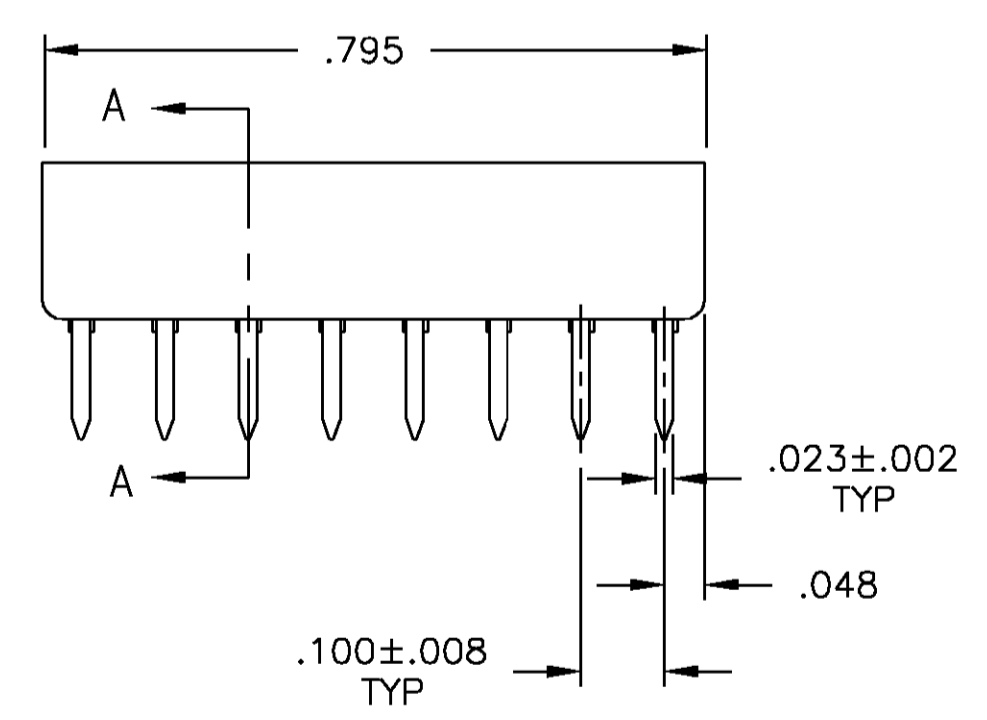
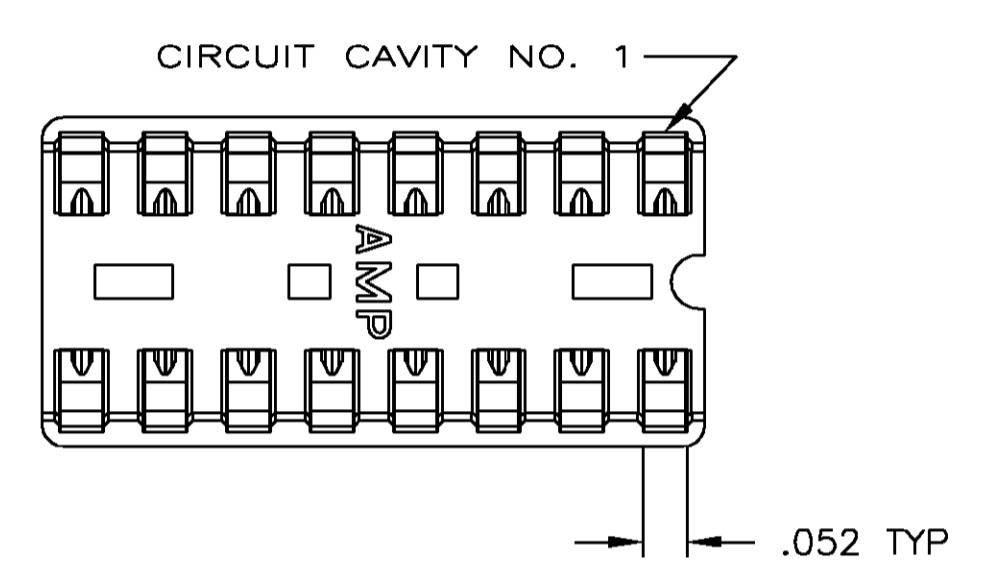


LOC		DIST		REVISIONS			
P	LN	DESCRIPTION	DATE	DR	APPD		
AD	0						
	AB	REV PER OG3C-0254-00	21AUG00	RB	HW		

1. RECEPTACLE ACCEPTS A .008-.014 THICK I.C. LEAD.
2. TUBE LOADED FOR AUTOMATIC INSERTION.
3. TWO .000030 MIN THK. GOLD STRIPES IN CONTACT AREA WITH TIN-LEAD
4. TWO .000015 MIN THK. GOLD STRIPES IN CONTACT AREA WITH TIN-LEAD (93/7) ON CONTACT LEGS, BALANCE OF CONTACT NICKEL PLATED.
5. MAXIMUM DIMENSION FOR I.C. SEATING PLANE.



SUPSD BY 390261-4	TINNED	PHOS.BRZ. .006 THK	GLASS-FILLED THERMOPLASTIC, 94V-0, BLACK	2-640358-4
SUPSD BY 390261-4	TINNED	PHOS.BRZ. .006 THK	GLASS-FILLED THERMOPLASTIC, 94V-0, BLACK	2-640358-3
		BE.CU. .006 THK	GLASS-FILLED THERMOPLASTIC, 94V-0, BLACK	2-640358-2
		BE.CU. .006 THK	GLASS-FILLED THERMOPLASTIC, 94V-0, BLACK	2-640358-1
CONTACT FINISH		CONTACT MAT'L		HOUSING MATERIAL
PART NO.		PART NO.		
THIS DRAWING IS A CONTROLLED DOCUMENT.				
DIMENSIONS:		TOLERANCES UNLESS OTHERWISE SPECIFIED:		DR
INCHES:		0 PL ± .005		R BROWN 21AUG00
1 PL ± .005		1 PL ± .005		OR H WYNKOOP 21AUG00
2 PL ± .005		2 PL ± .005		APD H WYNKOOP 21AUG00
3 PL ± .005		3 PL ± .005		NAME
4 PL ± .005		4 PL ± .005		H. WYNKOOP
ANGLES		ANGLES		PRODUCT SPEC
SEE TABLE		SEE TABLE		108-1066
MATERIAL		FINISH		APPLICATION SPEC
SEE TABLE		SEE TABLE		114-1049
WEIGHT		SCALE		SIZE
-		5:1		A1 00779
CUSTOMER DRAWING		SCALE		DRAWING NO
		5:1		©=640358
		SHEET		RESTRICTED TO
		1 OF 1		REV
		REV		AB